



UHF/IF 8WAY PASSIVE SPLITTER/COMBINER

SU-SPCO8/P*-DC‡

Description

The Global Professional rack mount IF / UHF PASSIVE 8 way Splitter has been designed to split the IF or UHF signal.

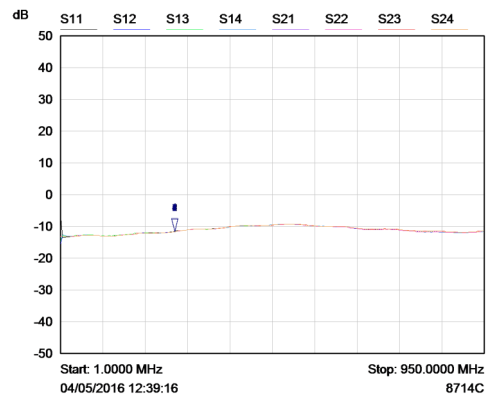
The product has been designed to allow modules to be rack mounted for ease of installation. A wide range of connector options are available.



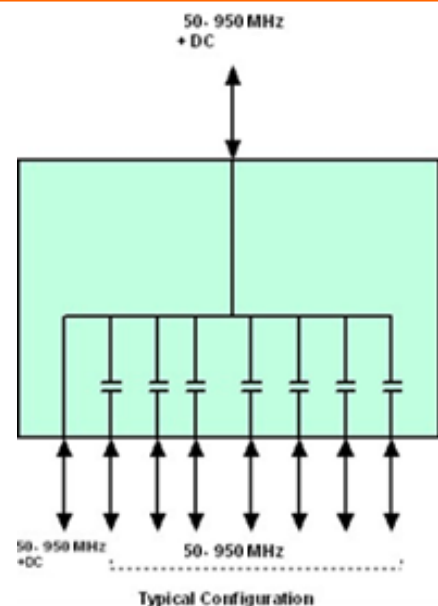
UHF/IF

Specifications

Frequency Pass	50MHz—950MHz
Through Loss	8dB ±1dB
Port to Port Isolation	20dB
Return Loss	15dB
DC Passing Options ‡	<ul style="list-style-type: none"> • DC Passing port 1 Only • DC blocked All Ports • DC Passing All Ports
MAX DC Current (Passing)	5 AMP
Max DC Passing Voltage	48 Volts
Connector Options*	<ul style="list-style-type: none"> • N' Type 50 Ohm Female • 'SMA' 50 Ohm Female • 'F' 75 Ohm Female • 'BNC' 50 Ohm Female • 'BNC' 75 Ohm Female • 'TNC' 50 Ohm Female
External Dimensions	1U
Weight	3.8kg
RoSH/WEEE Compliant	YES



Mkr	Trace	X-Axis	Value	Notes
1	S11	257.2300 MHz	-11.56 dB	
2	S12	257.2300 MHz	-11.58 dB	
3	S13	257.2300 MHz	-11.62 dB	
4	S14	257.2300 MHz	-11.62 dB	
5	S21	257.2300 MHz	-11.64 dB	
6	S22	257.2300 MHz	-11.65 dB	
7	S23	257.2300 MHz	-11.64 dB	
8	S24	257.2300 MHz	-11.61 dB	



**All systems are designed and built to order.
Please contact us to discuss your exact requirements.**