



VSAT 4 WAY 10MHz ACTIVE SPLITTER

SV-10MHS4-A*-DCB

Description

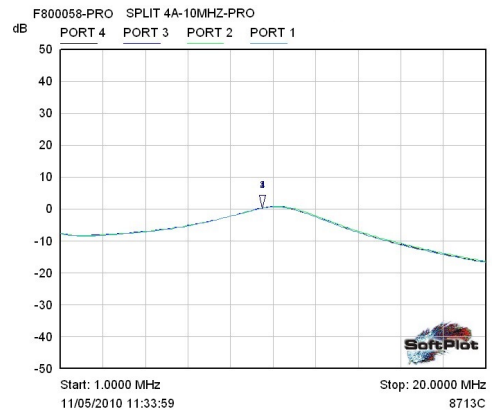
The Global Professional rack mount VSAT 10MHz active splitter has been designed to split the level from a reference oscillator to 4 outputs with no through loss before feeding into a VSAT distribution system. Only the 10MHz reference frequency is passed and all other frequencies are filtered out. The product has been designed to allow modules to be rack mounted for ease of installation.

Dual redundant power supplies are fitted as standard and a wide range of connector options are available.

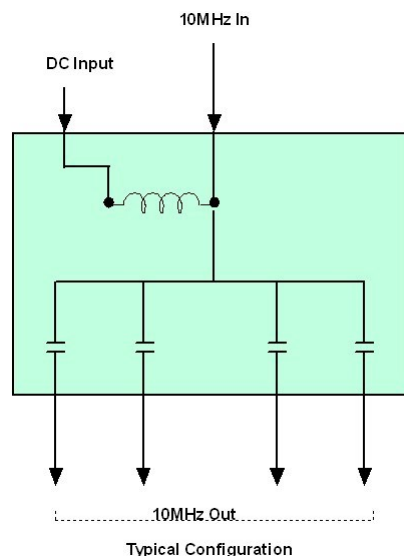


Specifications

Frequency Pass	10MHz
Gain at 10MHz 0dBm Input	0 dB ± .5dB
Max I/P level	+7dBm
Input Voltage	230V AC
Connector Options*	<ul style="list-style-type: none"> • 'N' Type 50 Ohm Female • 'SMA' 50 Ohm Female • 'F' 75 Ohm Female • 'BNC' 50 Ohm Female • 'BNC' 75 Ohm Female • 'TNC' 50 Ohm Female
External Dimensions	1U
Weight	3kg
RoSH/WEEE Compliant	YES



VSAT



**All systems are designed and built to order.
Please contact us to discuss your exact requirements.**