



10MHz Generator

V-GEN/AN-DCI	DC Injected to BUC
V-GEN/AN-DCB	DC Blocked to BUC

Description

The Global Professional 10MHz VSAT Generator is a high Stability reference source for VSAT Block Upconverters. Simply placed into the L Band signal path the unit inserts 10MHz onto the outgoing L Band.

The Unit is available in two options:-

V-GEN/AN-DCI injects a 15VDC-50VDC onto the L Band path.

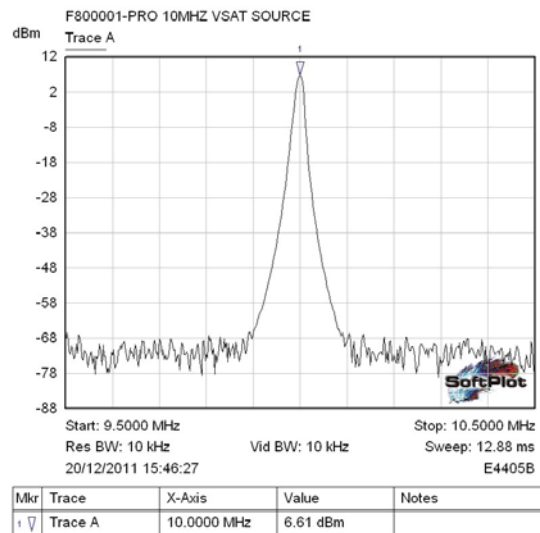
V-GEN/AN-DCB blocks DC to the BUC L-Band Path.



VSAT

Specifications

Output Frequency	10MHz
Output Level	+7dBm +/-1dB
Operating Temperature	>15dB
Temperature Stability	<3 x 10 ⁻⁹ over range -20C to +70C
Stability with Supply Voltage	<2 x 10 ⁻⁹ for a 10% Change.
Stability with Load Change	<5 x 10 ⁻¹⁰ for a 10% change from 50 Ohms
Short Term Stability	<1 x 10 ⁻¹¹
Phase Noise	10Hz -130dBc/Hz 100Hz -145dBc/Hz 1KHz - 155dBc/Hz 10KHz - 158dBc/Hz 50KHz - 160dBc/Hz
Warm Up Error	+/- 1 x 10 ⁻⁸ of final frequency after 8 minutes max at +25C
Frequency Adjustment	Sufficient for Min 10 years ageing
Harmonics	<-30dB W.R.T Carrier
Through Loss	Nominal 0db +/- 0.5dB
Power Supply	15V DC- 50V-DC
Max DC Current Pass	4 Amps
Humidity	>90% Non Condensing



Other Connector configurations available upon request.

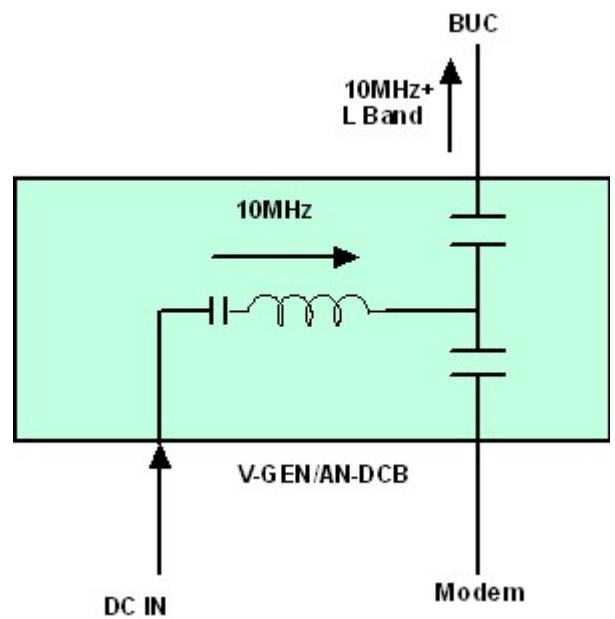
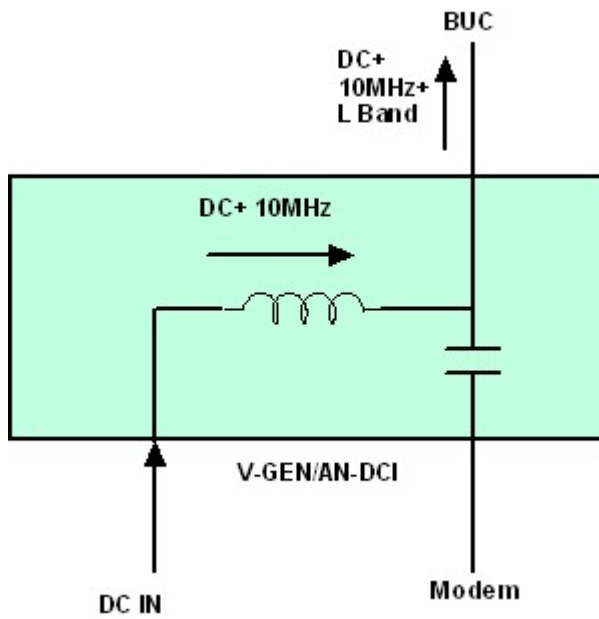


V-GEN/AN-DCI

Injects DC to the BUC PORT

V-GEN/AN-DCB

Blocks DC to the BUC PORT



***Other Connector configurations available
upon request.***